

Technical data sheet



Product features

Pánev sklopná automatická plynová 80 l nerezové dno

Model	SAP Code	00007398
--------------	-----------------	----------



- Bottom material: Stainless steel - suitable for cooking, easy maintenance
- Bottom thickness: 12.00
- Basin volume [l]: 80
- Usable volume [l]: 80
- Ignition: Piezo + Eternal Flame
- Tilting: Motorised
- Filling: Mechanical cock
- Type of pan: Tilting
- Basin shape: Practically shaped bathtub spout to minimize spillage
- Protection of controls: IPX4
- Basin dimensions [mm x mm x mm]: 721 x 564 x 225

SAP Code	00007398	Power gas [kW]	22.000
Net Width [mm]	800	Type of gas	Natural gas, propane butane
Net Depth [mm]	900	Bottom material	Stainless steel - suitable for cooking, easy maintenance
Net Height [mm]	900	Basin volume [l]	80
Net Weight [kg]	162.00	Usable volume [l]	80
Power electric [kW]	0.120	Tilting	Motorised

Technical data sheet



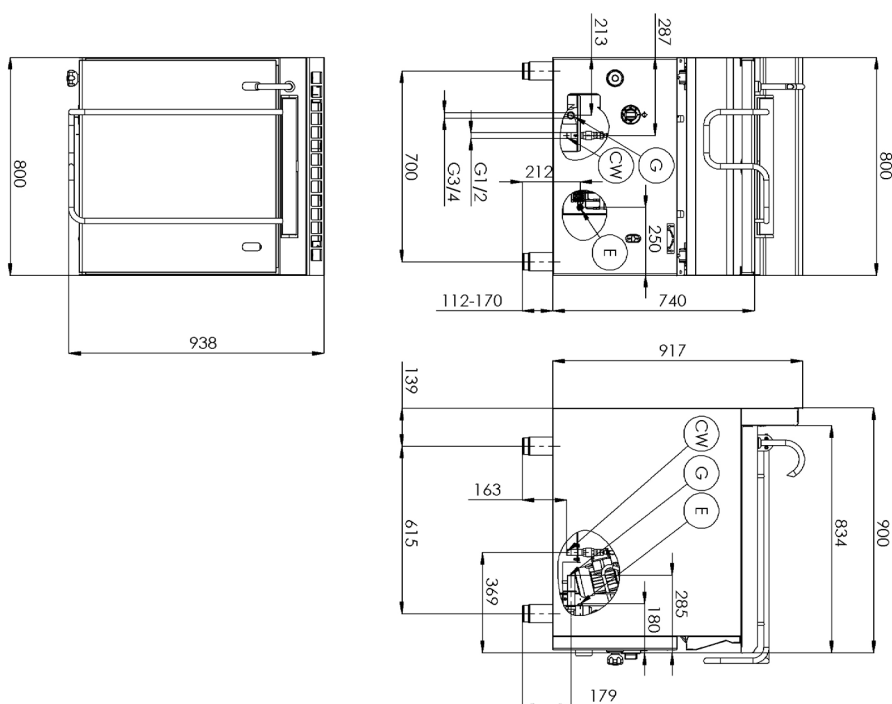
Technical drawing

Pánev sklopná automatická plynová 80 l nerezové dno

Model

SAP Code

00007398



Technical data sheet



Technical parameters

Pánev sklopná automatická plynová 80 l nerezové dno

Model

SAP Code

00007398

1. SAP Code:

00007398

2. Net Width [mm]:

800

3. Net Depth [mm]:

900

4. Net Height [mm]:

900

5. Net Weight [kg]:

162.00

6. Gross Width [mm]:

840

7. Gross depth [mm]:

970

8. Gross Height [mm]:

1160

9. Gross Weight [kg]:

182.00

10. Device type:

Gas unit

11. Construction type of device:

Stationary

12. Power electric [kW]:

0.120

13. Power gas [kW]:

22.000

14. Ignition:

Piezo + Eternal Flame

15. Type of gas:

Natural gas, propane butane

16. Protection of controls:

IPX4

17. Exterior color of the device:

Stainless steel

18. Material:

AISI 304 top plate, AISI 430 cladding

19. Worktop material:

AISI 304

20. Basin volume [l]:

80

21. Basin dimensions [mm x mm x mm]:

721 x 564 x 225

22. Volume capacity of the container [l]:

80.00

23. Maximum device temperature [°C]:

300

24. Minimum device temperature [°C]:

50

25. Safety thermocouple:

Yes

26. Adjustable feet:

Yes

27. Tilting:

Motorised

28. Bottom thickness:

12.00

Technical data sheet



Technical parameters

Pánev sklopná automatická plynová 80 l nerezové dno

Model

SAP Code

00007398

29. Bottom material:

Stainless steel - suitable for cooking, easy maintenance

32. Filling:

Mechanical cock

30. Type of pan:

Tilting

33. Basin shape:

Practically shaped bathtub spout to minimize spillage

31. Usable volume [l]:

80

34. Water filling type:

Cold